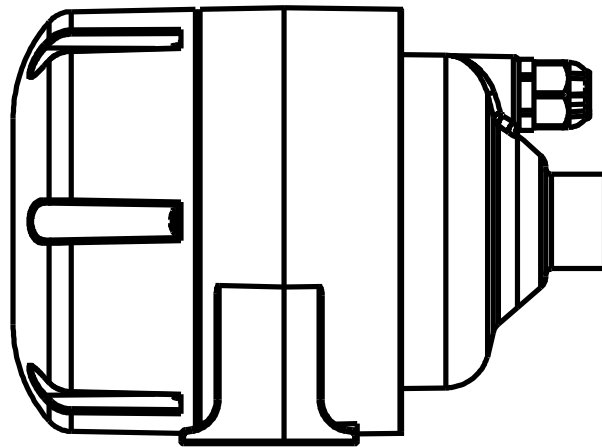


The Air Blower Instructions



INSTALLATION

Only the qualified, licensed personnel can install pump and wiring.

IMPORTANT ELECTRICAL

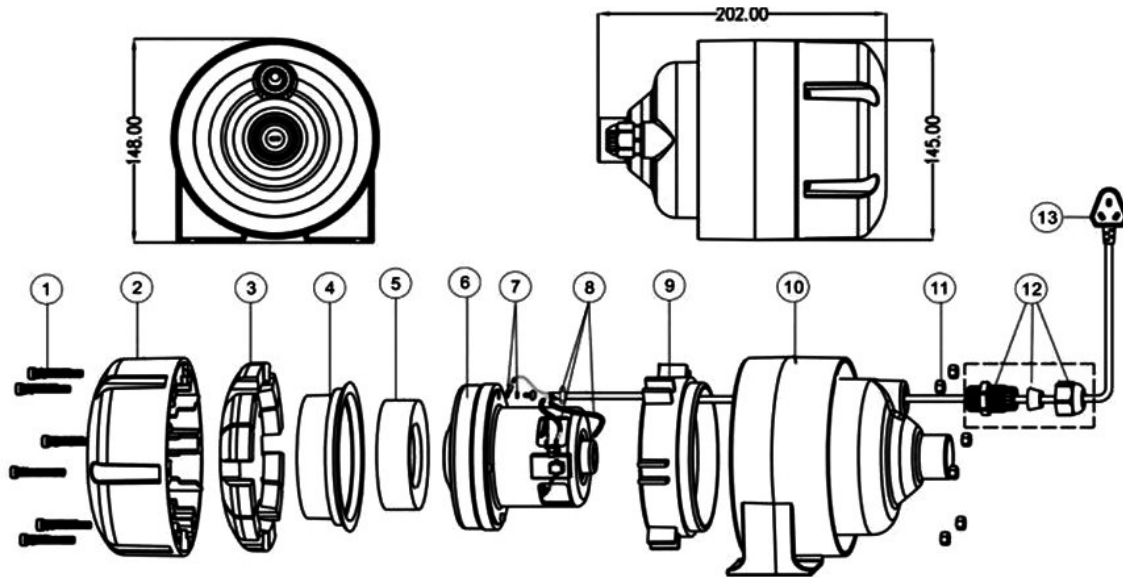
Electrical Contractors Please Note: All 220(110) volt 50Hz(60Hz) EMAUX pumps must be wired to the main power supply through an approved and correctly rated contractors.

- 1) The pump must be fixed out of the bathtub or pool either inside or outside the bathroom with good ventilation. it can be used for the water massage in bathing, the supply of oxygen in water farming and so on.
- 2) If fixed outdoors, the pump must be 30cm higher than the water level.
- 3) If fixed indoors, the pump must be below the water level with a stop-return valve fitted at the outlet.
- 4) The air pump can be fixed either horizontally or vertically. The outlet is higher than the inlet. If it is vertical.
- 5) Make sure the pump is firmly fixed.
- 6) Join the appointed pipe to the outlet of the pump with PVC glue.(it's better to use it within 24 hours after stuck.)
- 7) Screw the joint tight. Otherwise the air leak will result in the small quantity of airflow.

CAUTION

- 1) Non-professional personnel, do not open the air pump.
- 2) Be sure the power is right to the data marked in the plate of the air pump.
- 3) Don't touch it when the pump is running, Otherwise, you may get burnt.

PARTS OF WIND PUMP



Key No.	Part No.	Description	Qty
1	03011081	Screw	6
2	01271004	Cover for AB	1
3	07101073	Sponge for Cover	1
4	01091005	Stop Move Washer	1
5	07101074	Sponge Washer	1
6	04021056	Motor 220-230V,50/60Hz/350W	1
6	04021098	Motor 220-230V,50/60Hz/450W	1
6	04021099	Motor 220-230V,50/60Hz/550W	1
6	04021070	Motor 110-120V,50/60Hz/350W	1
6	04021096	Motor 110-120V,50/60Hz/450W	1
6	04021097	Motor 110-120V,50/60Hz/550W	1
7	04014024	Earth Cable	1
8	04015036	Thermoplastic Cover	2
9	01091006	Placement Lock for Motor	1
10	01271003	Body	1
11	03013013	Nut	6
12	04014013	Lock for Cable	1
13	04013025	Cable	1